



Leica Rugby 840

Quick Start

Version 1.0

- when it has to be **right**



	0 rps, 2 rps, 5 rps, 10 rps	
	10°, 45°, 90°	

H.I. ALERT		
Battery (Li-Ion)	= ✓ 1 Hz = ≤ 10% 4h 5 Hz = ≤ 5% 2h = ✗	90°

Li-Ion

Alkaline 4x D-cell (LR20)

Alkaline 4x AA-cell (LR6)

RC400 Remote Control

Pairing

1. Press the power button on the device for 5s. (H.I. indicator: green X and Y = thumbs up)
2. Press the power button on the remote for 5s. (H.I. indicator: red X and Y = thumbs down)

Rod Eye 180, Digital RF

Pairing

1. Press the power button on the device for 5s. (H.I. indicator: green X and Y = thumbs up)
2. Press the power button on the remote for 5s. (H.I. indicator: red X and Y = thumbs down)

Setting Forms

X Y
 (H.I.)

1. Tripod-mounted level
2. Power button sequence
3. Wooden form
4. Level on block
5. Leveling form
6. Leveling form
7. Leveling form

Rod Eye 180, Digital RF

	o/l
	±0.5 mm, ±1 mm, ±2 mm, ±3 mm, ±5 mm
	Speaker volume icons
1x	mm 022 ← Eye icon
1.5 s	Smart Target SMT ▶ XSC
5 s	Smart Target Lock SML ▶ XSL ▶ LOC

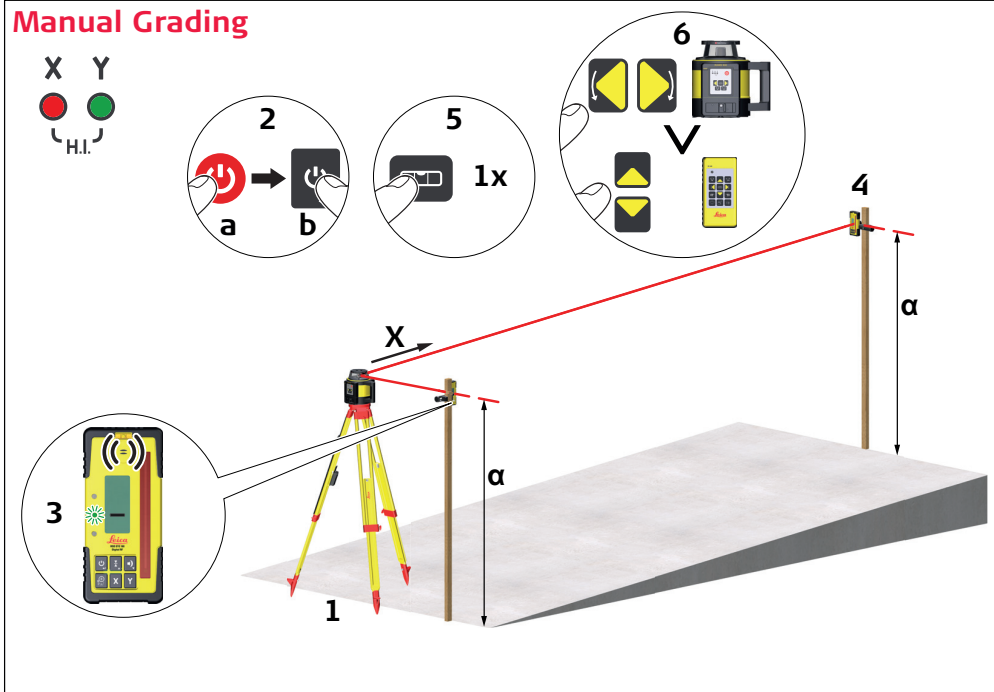
Smart Targeting

Checking Grades

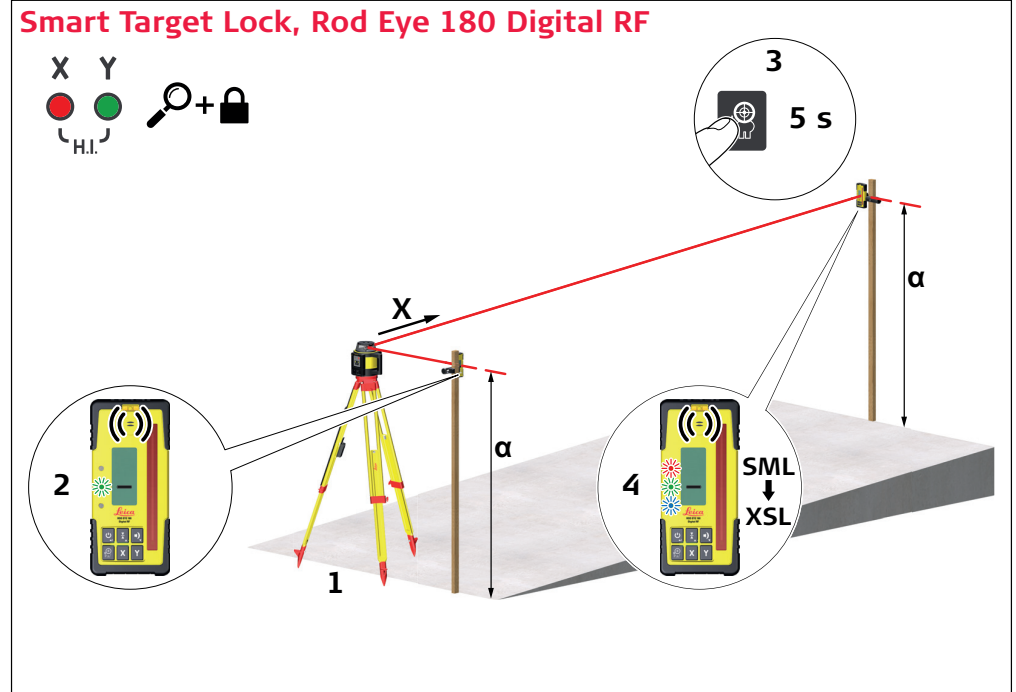
X Y
 (H.I.)

1. Tripod-mounted level
2. Power button sequence
3. Wooden form
4. Level on block
- 5a, 5b, 5c. Checking grades

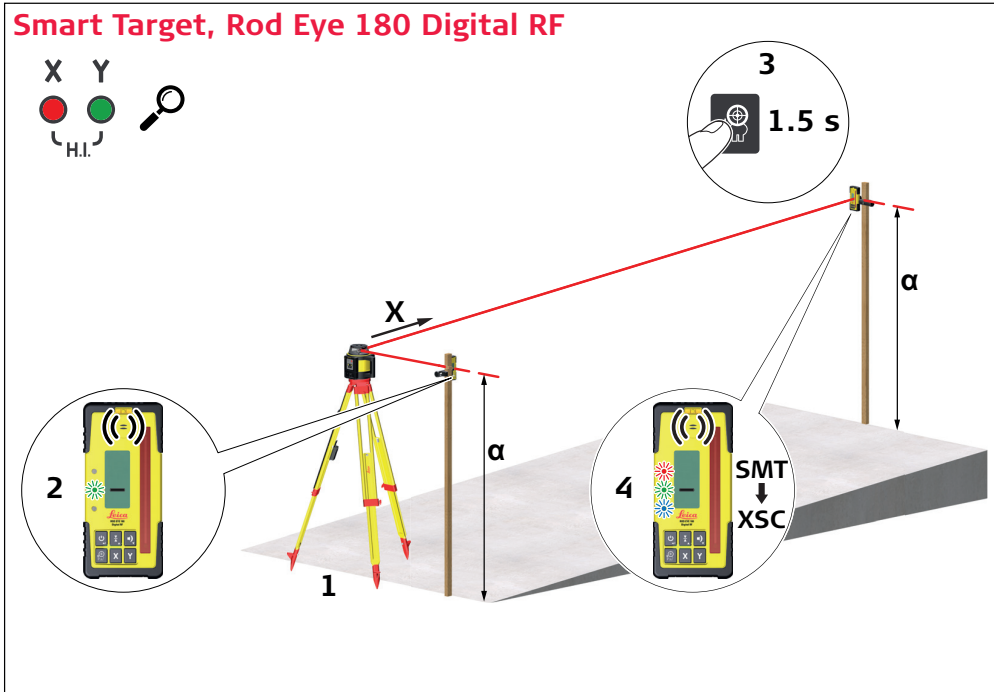
Manual Grading



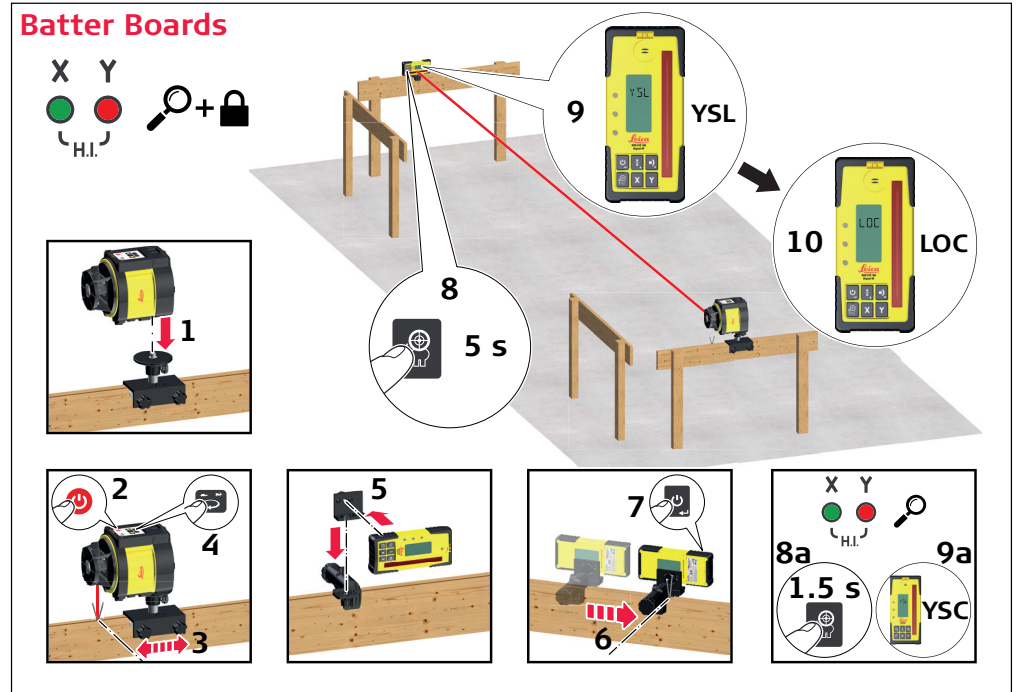
Smart Target Lock, Rod Eye 180 Digital RF



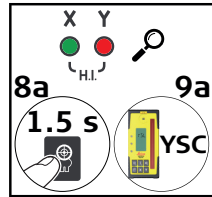
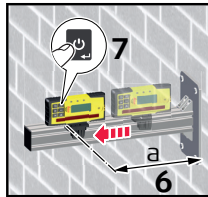
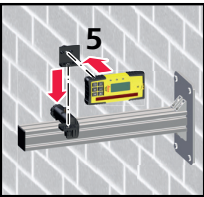
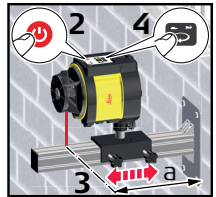
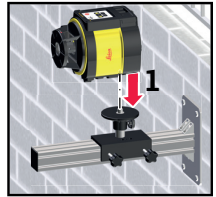
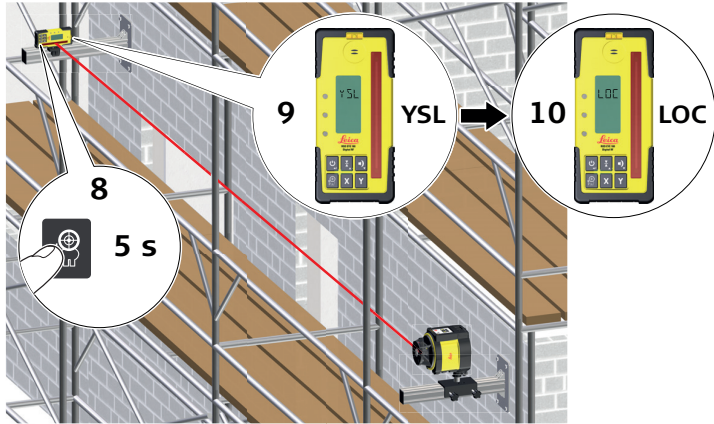
Smart Target, Rod Eye 180 Digital RF



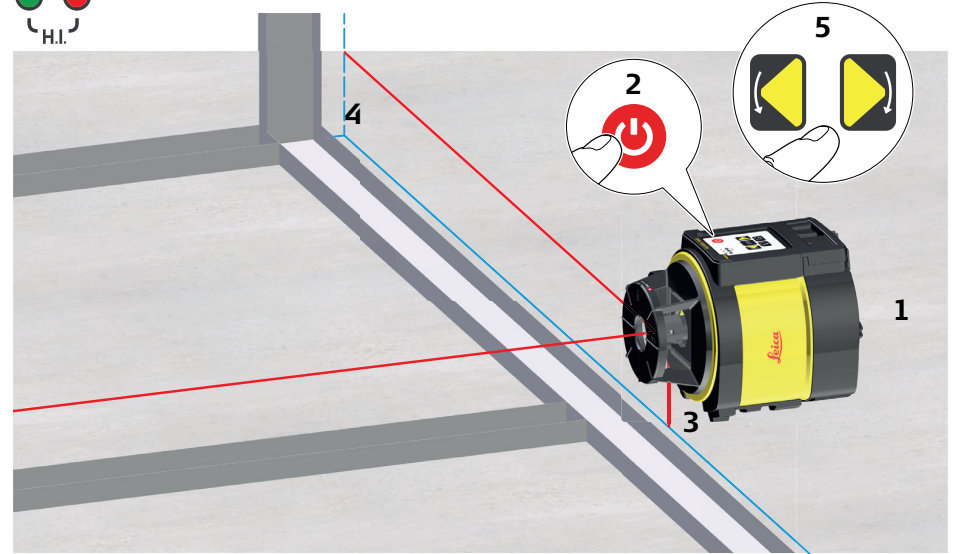
Batter Boards



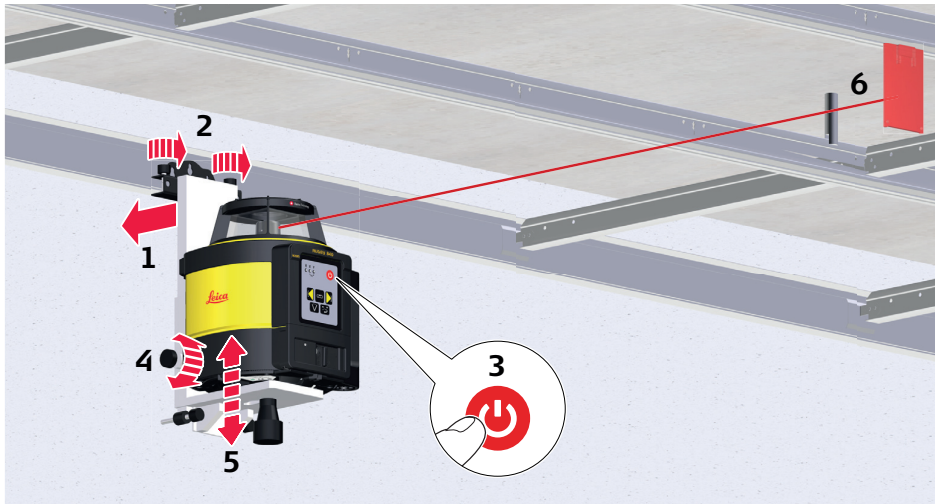
Facades



Layout



Suspended Ceilings



Laser class 2 product in accordance with IEC 60825-1

Leica Geosystems AG
 Heinrich-Wild-Strasse
 CH-9435 Heerbrugg
 Switzerland
 Phone +41 71 727 31 31
www.leica-geosystems.com

- when it has to be **right**



710239-1.0.0
 Original text
 © 2013 Leica Geosystems AG, Heerbrugg, Switzerland